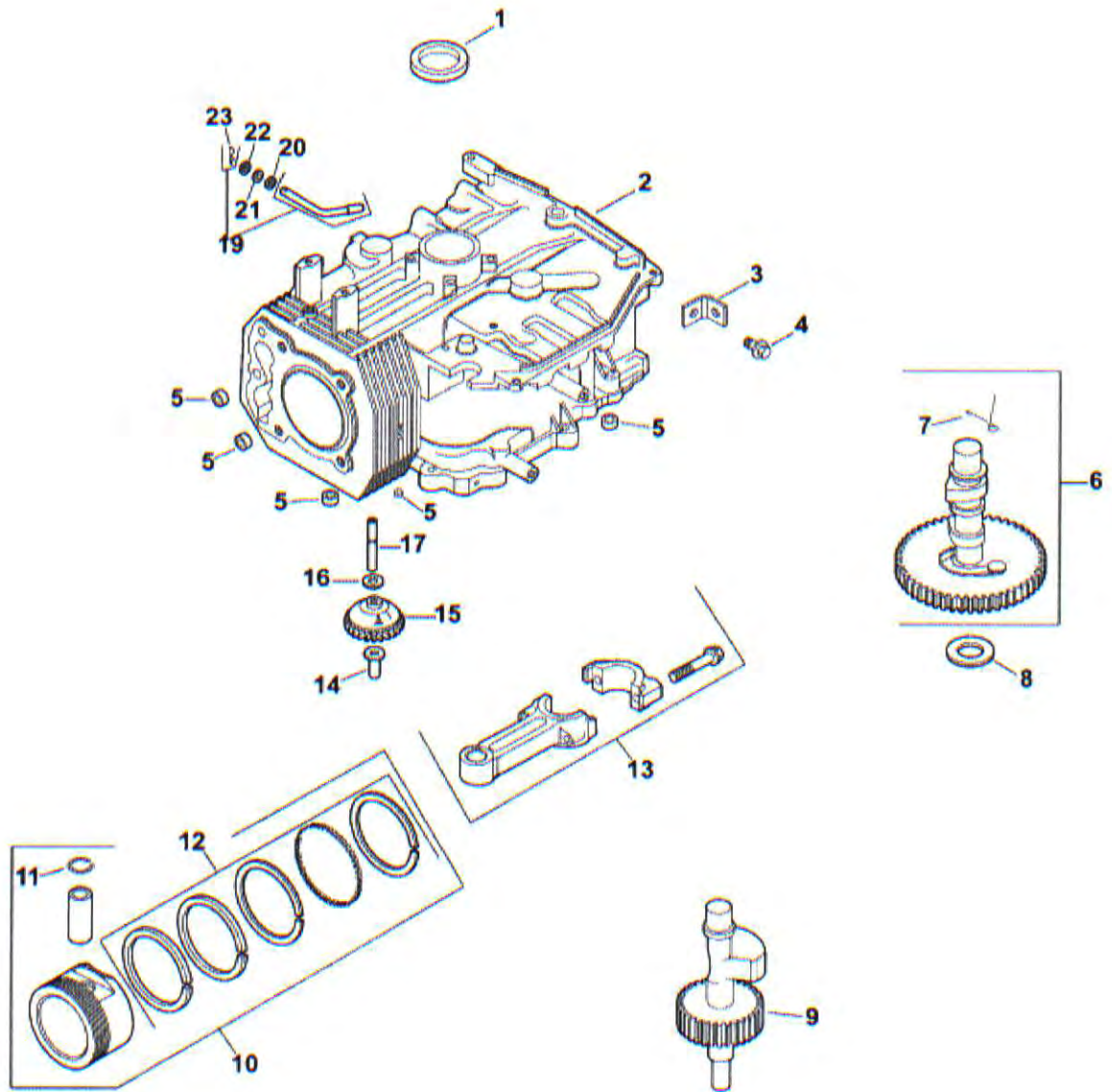


CV493-27538

Crankcase

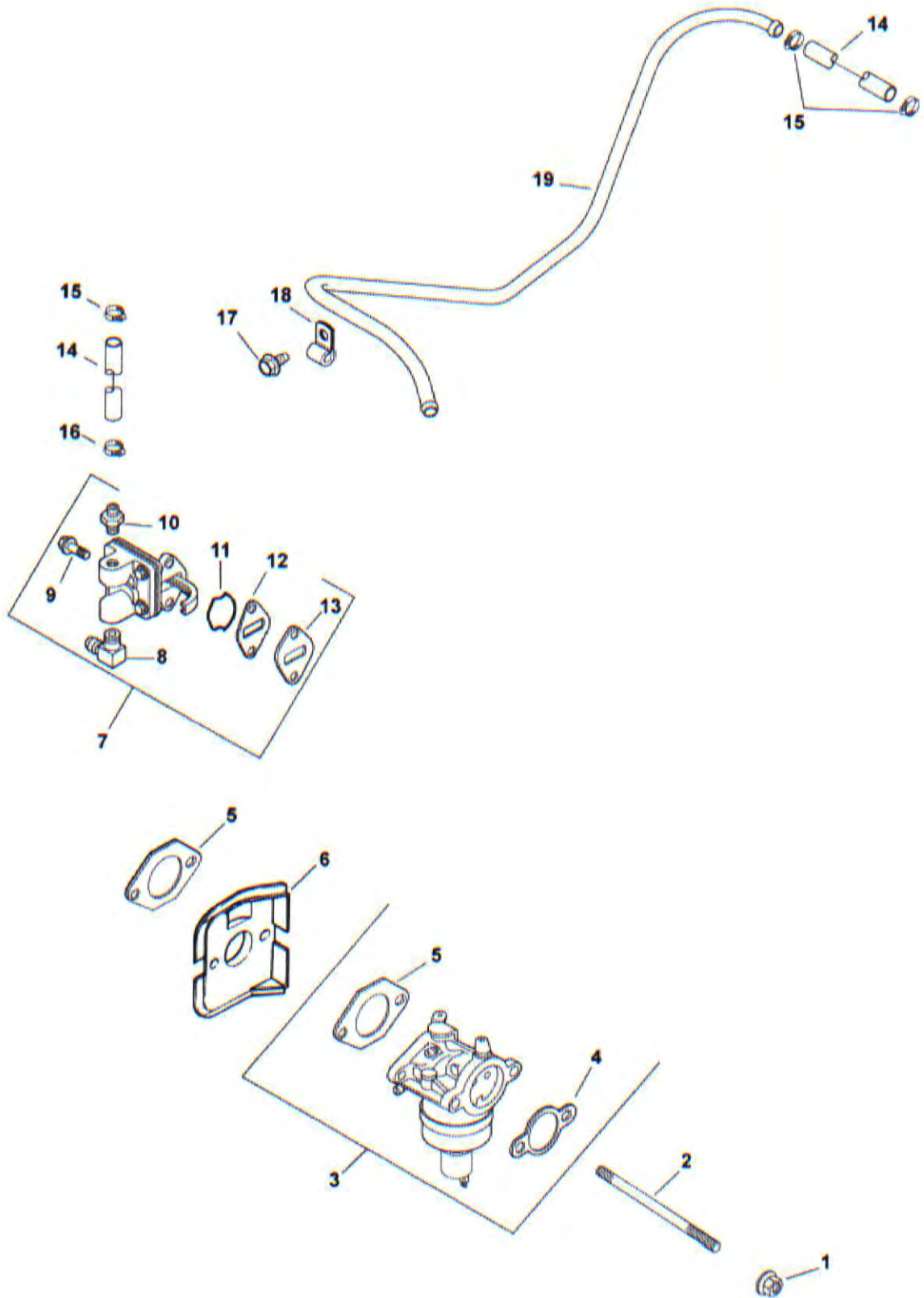


## Crankcase

| Ref # | Part        | Description                            | Qty  |
|-------|-------------|--|------|
| 1     | 12 032 03-S | SEAL, OIL                              | 1    |
| 2     |             | CRANKCASE<br>(USE: SHORT BLOCK)        |      |
| 3     | 12 445 02-S | STRAP                                  | 1    |
| 4     | M-839025-S  | SCREW, FLG M8X1.25X25                  | 1    |
| 5     | 24 380 13-S | PIN, LOCATING USE 24 380 16-S          | 4    |
| 6     | 12 010 30-S | KIT, CAMSHAFT ASSEMBLY<br>(Includes 7) | 1    |
| 7     | 12 089 37-S | SPRING, ACTUATING                      |      |
| 8     | 12 422 10-S | SHIM, CAMSHAFT (YELLOW .034")          | 1    |
|       | 12 422 08-S | SHIM, CAMSHAFT (BLUE .03")             | A.R. |
|       | 12 422 09-S | SHIM, CAMSHAFT (RED .032")             | A.R. |
|       | 12 422 11-S | SHIM, CAMSHAFT (GREEN .036")           | A.R. |
|       | 12 422 12-S | SHIM, CAMSHAFT (GRAY .038")            | A.R. |
|       | 12 422 13-S | SHIM, CAMSHAFT (BLACK .04")            | A.R. |
|       | 12 422 07-S | SHIM, CAMSHAFT (WHITE .028")           | A.R. |
| 9     | 12 144 28-S | SHAFT, BALANCE                         | 1    |
| 10    | 12 874 07-S | KIT, PISTON W/RING SET (STD)           | 1    |
|       | 12 874 11-S | KIT, PISTON W/RING SET (.08)           | 1    |
|       | 12 874 08-S | KIT, PISTON W/RING SET (.25)           | 1    |
|       | 12 874 09-S | KIT, PISTON W/RING SET (.50)           | 1    |
| 11    | 12 018 02-S | RETAINER                               | 2    |
| 12    | 12 108 07-S | RING SET (STD & .08)                   | 1    |
|       | 12 108 08-S | RING SET (.25)                         | 1    |
|       | 12 108 09-S | RING SET (.50)                         | 1    |
| 13    | 12 067 11-S | ROD ASSY, CONNECTING (STD)             | 1    |
|       | 12 067 12-S | ROD ASSY, CONNECTING(.25)              | 1    |
| 14    | 12 380 01-S | PIN, GOVERNOR REGULATING               | 1    |
| 15    | 12 043 05-S | GOVERNOR GEAR ASSEMBLY                 | 1    |
| 16    | M-631005-S  | WASHER, FLAT 6 MM                      | 1    |
| 17    | 12 144 02-S | SHAFT, GOVERNOR GEAR                   | 1    |
| 18    | 52 139 09-S | PLUG, CUP                              | 1    |
| 19    | 12 755 64-S | KIT, GOVERNOR CROSS SHAFT              | 1    |
| 20    | X-25-102-S  | WASHER, FLAT 1/4"                      | 1    |
| 21    | 12 032 01-S | SEAL                                   | 1    |
| 22    | M-631015-S  | WASHER, FLAT 6 MM                      | 1    |
| 23    | 12 154 05-S | CLIP, HITCH PIN                        | 1    |

CV493-27538

Fuel System



Fuel System

| Ref # | Part         | Description                                       | Qty |
|-------|--------------|---|-----|
| 1     | M-641060-S   | NUT, FLG M6X1.0                                   | 2   |
| 2     | M-629116-S   | STUD,M6X1.0X116                                   | 2   |
| 3     | 12 853 149-S | KIT, CARBURETOR w/GASKETS<br>(includes 4,5)       | 1   |
| 4     | 12 041 02-S  | GASKET, AIR CLEANER BASE                          | 1   |
| 5     | 12 041 01-S  | GASKET, CARBURETOR                                | 2   |
| 6     | 12 265 06-S  | DEFLECTOR, HEAT                                   | 1   |
| 7     | 12 559 02-S  | KIT, FUEL PUMP<br>(includes 8-13 & 25 141 06-S)   | 1   |
| 8     | 12 294 13-S  | CONNECTOR, 90° HOSE                               | 1   |
| 9     | M-645020-S   | SCREW, FLG THD FRM M6X1.0X20                      | 2   |
| 10    | 25 294 09-S  | KIT, STRAIGHT FITTING                             | 1   |
| 11    | 25 153 04-S  | O-RING, FUEL PUMP                                 | 1   |
| 12    | 25 041 10-S  | GASKET, FUEL PUMP                                 | 1   |
| 13    | 12 112 05-S  | SPACER, FUEL PUMP                                 | 1   |
| 14    | 25 111 34-S  | LINE, FUEL (24"-CUT TO LENGTH)                    | 1   |
| 15    | 25 237 14-S  | CLAMP, HOSE 1/2"                                  | 3   |
| 16    | 25 237 08-S  | CLAMP, BAND SPRING HOSE                           | 1   |
| 17    | M-545010-S   | SCREW, FLG THD FRM M5X.8X10                       | 1   |
| 18    | 12 154 01-S  | CLAMP, INSULATED                                  | 1   |
| 19    | 12 123 19-S  | LINE, FUEL  | 1   |
|       | 12 755 108-S | KIT, HIGH ALTITUDE (5000 FT)<br>NOT ILLUSTRATED   | 1   |
|       | 12 755 109-S | KIT,HIGH ALT(5000 OR 10000 FT)<br>NOT ILLUSTRATED | 1   |
|       | 12 755 110-S | KIT, REPAIR CHOKE<br>NOT ILLUSTRATED              | 1   |
|       | 12 757 02-S  | KIT, REPAIR FLOAT<br>NOT ILLUSTRATED              | 1   |
|       | 12 757 03-S  | KIT, REPAIR CARBURETOR<br>NOT ILLUSTRATED         | 1   |
|       | 12 757 36-S  | KIT, THROTTLE SHAFT BEARING                       | 1   |
|       | 12 757 37-S  | KIT, REPAIR BOWL REPLACEMENT<br>NOT ILLUSTRATED   | 1   |
|       | 25 141 06-S  | TOOL, INSTALLATION (SNAP RING)<br>NOT ILLUSTRATED | 1   |

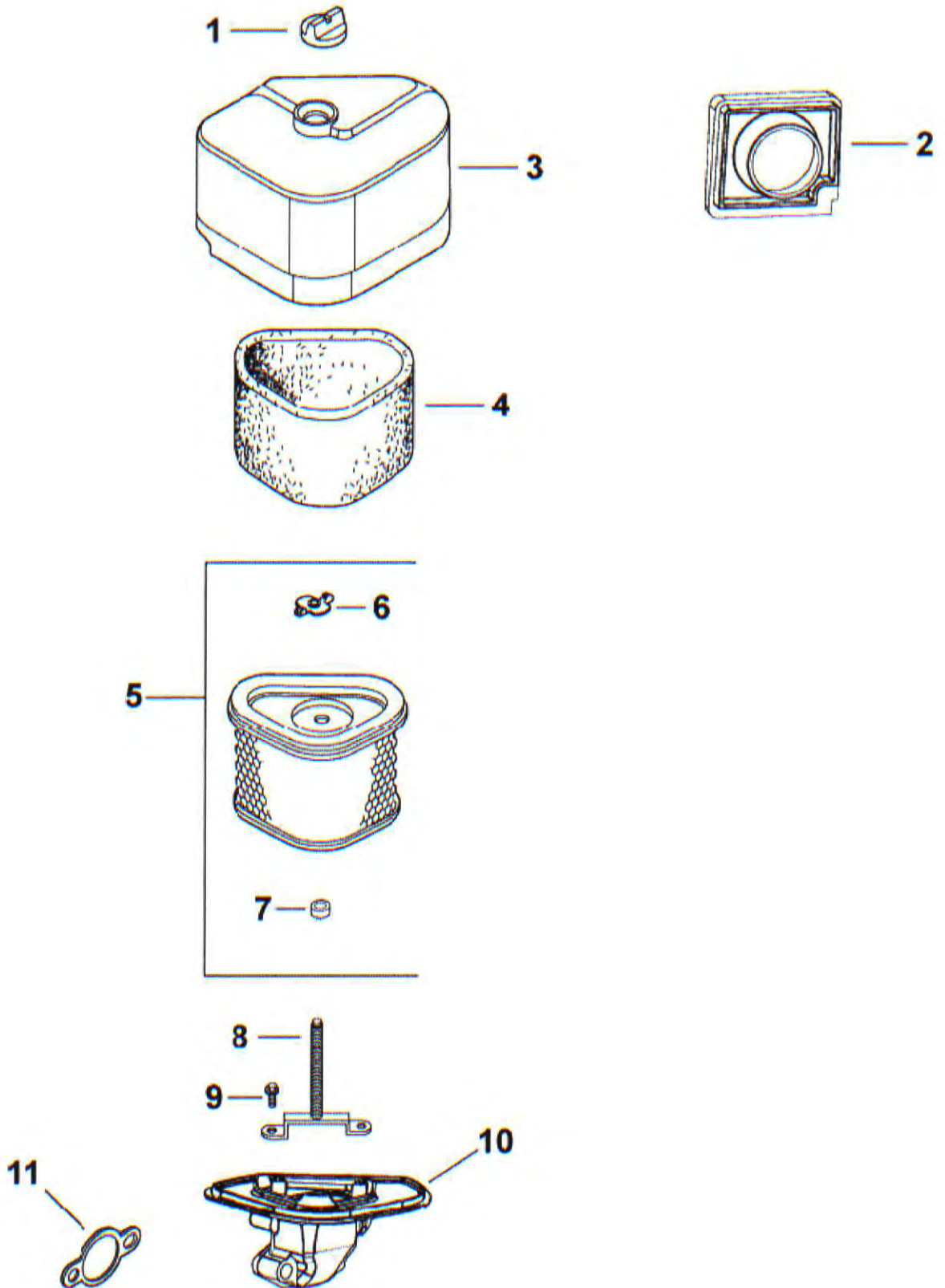


## Oil Pan/Lubrication

| Ref # | Part        | Description                                | Qty |
|-------|-------------|--|-----|
| 1     | 12 038 02-S | DIPSTICK, ASSEMBLY                         | 1   |
| 2     | 24 755 46-S | KIT, OIL FILL CAP (YELLOW)<br>(Includes 3) | 1   |
| 3     | 25 153 02-S | O-RING, DIPSTICK                           | 1   |
| 4     | 12 153 02-S | O-RING, UPPER OIL FILL TUBE                | 1   |
| 5     | 12 123 04-S | TUBE ASSEMBLY USE 25 123 07-S              | 1   |
| 6     | M-545020-S  | SCREW, FLG THD FRM M5X.8X20                | 1   |
| 7     | 12 153 01-S | O-RING, LOWER OIL FILL TUBE                | 1   |
| 8     | 25 162 07-S | SCREEN, OIL                                | 1   |
| 9     | 12 096 03-S | COVER                                      | 1   |
| 10    | M-545016-S  | SCREW, FLG THD FRM M5X0.8X16               | 1   |
| 11    | 12 050 01-S | FILTER, OIL                                | 1   |
| 12    | 12 199 50-S | PAN, OIL<br>(Includes 13, 18-21)           | 1   |
| 13    | 25 462 09-S | VALVE, OIL PRESSURE RELIEF                 | 1   |
| 14    | 25 139 57-S | PLUG, SQ HD PIPE 3/8"                      | 1   |
| 15    | 25 173 14-S | CAP, OIL DRAIN VALVE                       | 1   |
| 16    | 25 755 14-S | KIT, OIL DRAIN VALVE<br>(Includes 17)      | 1   |
| 17    | 25 139 52-S | PLUG, PIPE 1/8 NPTF-SQ.HD.                 | 1   |
| 18    | 12 393 01-S | PUMP ASSEMBLY, OIL                         | 1   |
| 19    | 12 153 06-S | O-RING (2.5" DIA)                          | 1   |
| 20    | 12 096 34-S | COVER, OIL PUMP                            | 1   |
| 21    | 12 032 03-S | SEAL, OIL                                  | 1   |
| 22    | 24 086 16-S | SCREW, FLG M8X1.25X45 USE 24 086 17-S      | 11  |
| 23    | 24 086 17-S | SCREW, FLG M8X1.25X45                      | 1   |

CV493-27530

Air Intake/Filtration



## Air Intake/Filtration

| Ref # | Part        | Description                           | Qty |
|-------|-------------|---------------------------------------|-----|
| 1     | 25 341 03-S | KNOB, COVER                           | 1   |
| 2     | 12 281 02-S | DUCT, AIR                             | 1   |
| 3     | 12 096 44-S | COVER, AIR CLEANER                    | 1   |
| 4     | 12 083 12-S | PRE-CLEANER                           | 1   |
| 5     | 12 083 10-S | FILTER, ELEMENT<br>(includes 6,7)     | 1   |
| 6     | 12 100 01-S | NUT, WING                             | 1   |
| 7     | 12 032 11-S | SEAL                                  | 1   |
| 8     | 12 072 04-S | STUD, MOUNTING PLATE                  | 1   |
| 9     | 12 086 01-S | SCREW, THD FRM #10 HI-LO              | 2   |
| 10    | 12 094 14-S | BASE, AIR CLEANER USE 12 094 17-S     | 1   |
| 11    | 12 041 02-S | GASKET, AIR CLEANER BASE              | 1   |
|       | 12 113 04-S | DECAL, AIR CLEANER<br>NOT ILLUSTRATED | 1   |